

# BFR630DX

## 626 L Stainless Steel Four Door Fridge with Internal Ice & Water



Inner Water Dispenser



Multizone Compartment



Neofrost™ Technology



Everfresh+ Crisper



Active Fresh Blue Light

### Capacity

|                       |       |
|-----------------------|-------|
| Total Gross Volume:   | 626 L |
| Fridge Gross Volume:  | 402 L |
| Freezer Gross Volume: | 224 L |
| Total Net Volume:     | 531 L |
| Fridge Net Volume:    | 376 L |
| Freezer Net Volume:   | 155 L |

### Design:

|         |                 |
|---------|-----------------|
| Colour: | Stainless Steel |
|---------|-----------------|

### Performance:

|                            |              |
|----------------------------|--------------|
| Energy Rating:             | 2.5 Stars    |
| Energy Consumption:        | 605 kWh/Year |
| Voltage:                   | 220-240      |
| Frequency:                 | 50 Hz        |
| Maximum Current Intensity: | 0.80 A       |

### Main Features

|                              |                     |
|------------------------------|---------------------|
| Cooling System Type:         | Frost Free          |
| Neofrost™ Cooling Technology | Yes                 |
| Control System Type:         | Electronic          |
| Compressor:                  | Prosmart Inverter   |
| Display System:              | Internal (top trim) |
| Feet:                        | Front Adjustable    |
| Refrigerant:                 | R600a               |

### Hygiene and Freshness

|                          |     |
|--------------------------|-----|
| Everfresh+ Crisper:      | Yes |
| Active Fresh Blue Light: | Yes |
| IonGuard:                | Yes |

|           |               |
|-----------|---------------|
| Ean Code: | 8690842105326 |
|-----------|---------------|

### Fridge Specifications

|                        |  |
|------------------------|--|
| Crisper Type:          | Everfresh+   |
| FreshStore 0°C:        |  |
| Compartment:           | Yes  |
| Multizone Compartment: | Yes  |
| Cabinet Shelves:       | 2 x Full Depth Spill Proof<br>Cantilever Glass Shelves |
| Door Racks:            | 6 x Full Width (Middle Adjustable)                     |
| Egg Trays:             | 2 x 10 Egg Capacity                                    |
| Water Dispenser:       | Inner  |

### Freezer Specifications

|                       |   |
|-----------------------|---|
| Ice Maker Type:       | Automatic 2.5kg Ice Daily                                   |
| Freezer Compartments: | 3 Full Width Drawers, 2 Glass<br>Shelves. Multizone Section |

### Dimensions & Weights

|                      |         |
|----------------------|---------|
| Unpackaged Height:   | 1820 mm |
| Unpackaged Width:    | 908 mm  |
| Cabin Depth:         | 600 mm  |
| Depth (incl. Doors): | 685 mm  |
| Unpackaged Weight:   | 145 kg  |
| Packaged Height:     | 1922 mm |
| Packaged Width:      | 978 mm  |
| Packaged Depth:      | 780 mm  |
| Packaged Weight:     | 155 kg  |

|                                  |          |
|----------------------------------|----------|
| Manufacturers Warranty:          | 2 Years  |
| Inverter Compressor<br>Warranty: | 10 Years |

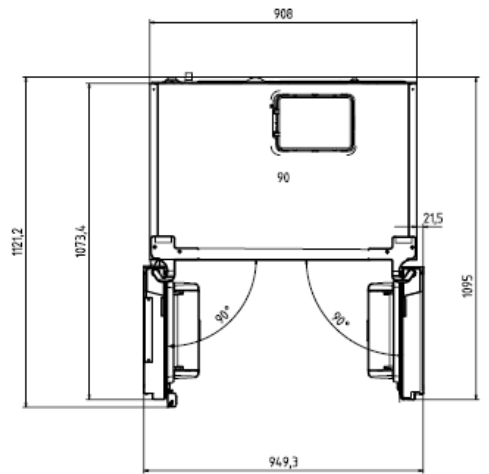
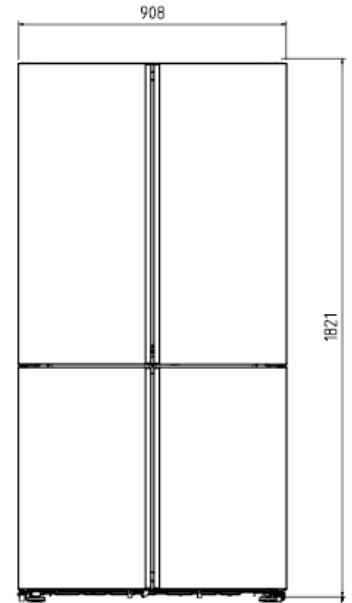
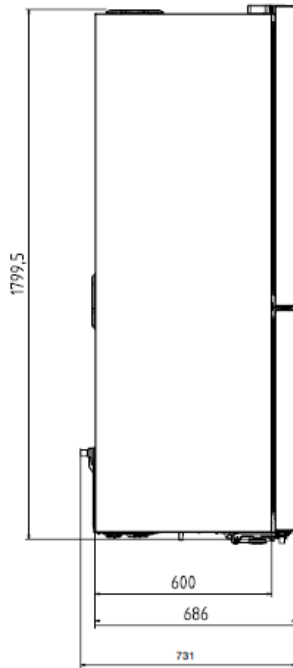
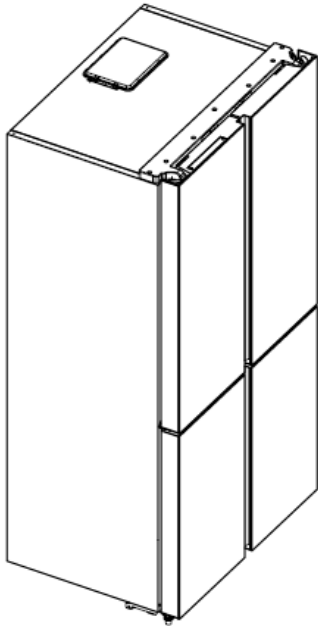


**beko**

Official partner of  
the  
*everyday*

# BFR630DX

626 L Stainless Steel Four Door Fridge with Internal Ice & Water



**beko**

Official partner of  
the  
*everyday*