

DFN16420W

60 cm Freestanding White Dishwasher



Flexible Half Load



Mini 30 Program



Quick & Clean Program



Super Rinse Function



Time Delay Function

Capacity

Number of Place Settings: 14

Design

Colour: White

Performance

WELS Water Rating: 4 Stars
Water Consumption: 13.9 litres
Energy Rating: 3.5 Stars
Energy Consumption: 270 kWh
Voltage: 220-240
Frequency: 50 Hz
Operating Noise: 47.0dBa

Main Features

Program Controls: Digital Button Control
Screen Type: White LED
Flexible Half Load Option: Yes
Time Delay Function: Yes
Tablet Detergent Function: Yes
Electronic Rinse Aid Indicator: Yes
Number of Spray Levels: 3
Motor Type: Standard
Drying System: Active Ventilation

Ean Code: 8690842011023
Manufacturers Warranty: 2 Years + 3 Years by Registration

Programs

Number of Programs: 6
Program 1: Delicate
Program 2: Mini 30
Program 3: Eco 45
Program 4: Quick & Clean
Program 5: Intensive 70
Program 6: Clean & Shine
Auxillary Functions: Half Load , Super Rinse

Flexibility:

Height Adjustable Upper Rack: Adjustable when unloaded
Height Adjustable Mug Shelf: Yes
Lower Basket Supports: 2 x Folding
Sliding Cutlery Basket: Yes
Removable Top for Built Under
Installation: Yes

Safety:

Water Safety System: Overflow Safety

Dimensions & Weights

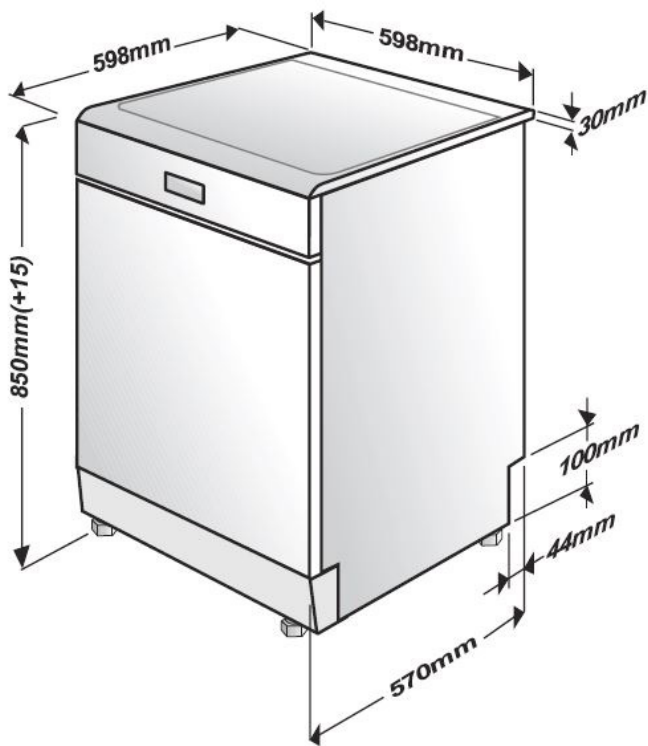
Unpackaged Height (min): 850 mm
Height (max - feet adjustment): 865 mm
Unpackaged Width: 598 mm
Unpackaged Depth: 600 mm
570 mm without top lid
Unpackaged Weight: 39 kg
Packaged Height: 889 mm
Packaged Width: 644 mm
Packaged Depth: 661 mm
Packaged Weight: 42 kg



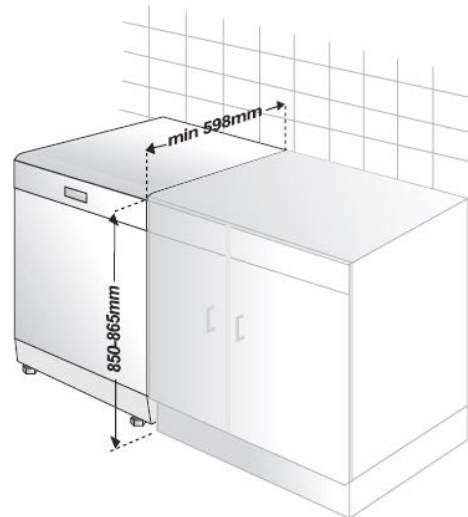
Official partner of the *everyday*

DFN16420W

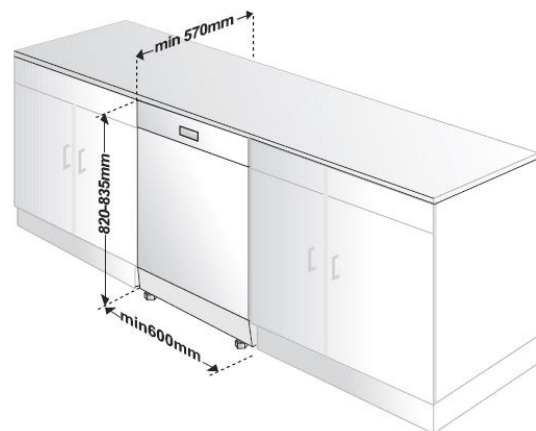
60 cm Freestanding White Dishwasher



Freestanding Installation Dimensions



Built Under Installation Dimensions



Official partner of the
everyday