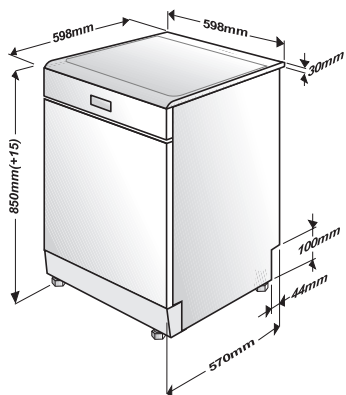
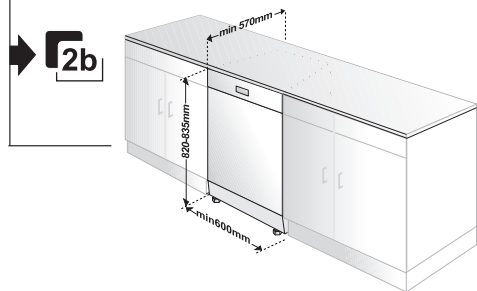
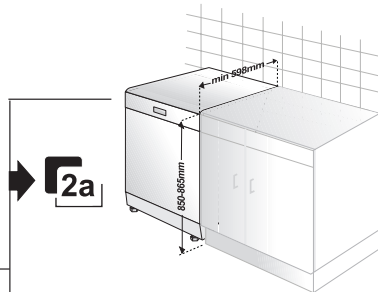
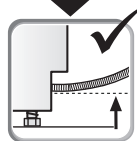
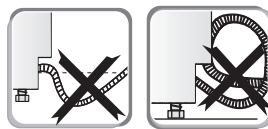
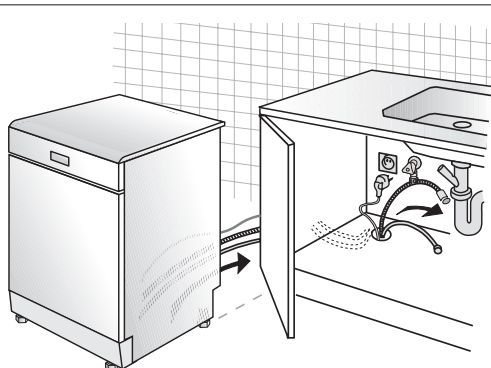
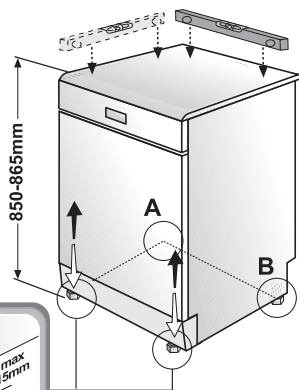
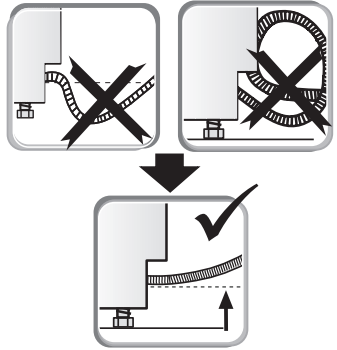
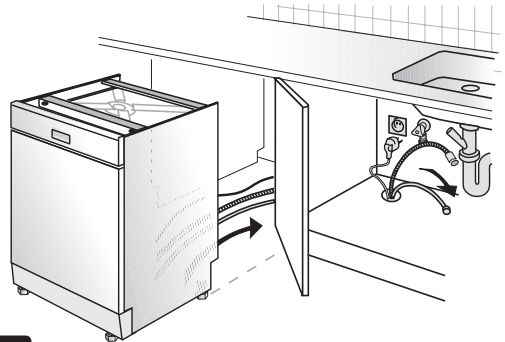
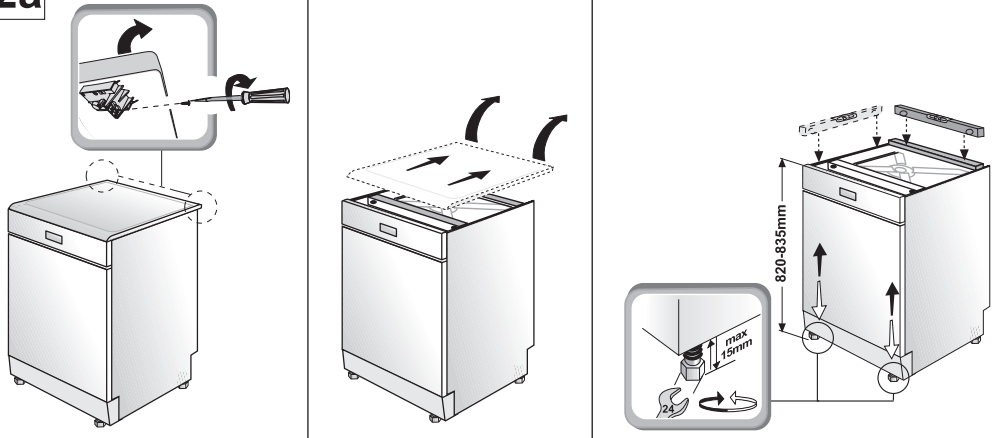


1**?****2a**

i If needed, 2 pieces of additionally given feet can be used on points A and B.



2a



3

