

BSB641W

641 L White Side by Side Fridge



Neofrost™ Technology



Everfresh+ Crisper



Active Fresh Blue Light



IonGuard



Active Seal Guard

Capacity

Total Gross Volume:	641 L
Fridge Gross Volume:	397 L
Freezer Gross Volume:	244 L
Total Net Volume:	558 L
Fridge Net Volume:	368 L
Freezer Net Volume:	190 L

Design:

Colour:	White
---------	-------

Performance:

Energy Rating:	3 Stars
Energy Consumption:	543 kWh/Year
Voltage:	220-240
Frequency:	50 Hz
Maximum Current Intensity:	0.65 A

Main Features

Cooling System Type:	Frost Free
Neofrost™ Cooling Technology	Yes
Control System Type:	Electronic
Compressor:	Prosmart Inverter
Display System:	Internal
Feet:	Front Adjustable
Refrigerant:	R600a

Hygiene and Freshness

Everfresh+ Crisper:	Yes
Active Fresh Blue Light:	Yes
IonGuard:	Yes

Ean Code: 8690842094828

Fridge Specifications

Crisper Type:	Everfresh+
FreshStore 0°C	
Compartment:	Yes
Cabinet Shelves:	5 x Full Depth Spill Proof Glass
Door Racks:	5 x Full Width
Bottle Holder:	Full Width Chrome Coated
Egg Trays:	2 x 10 Egg Capacity

Freezer Specifications

Fast Freezing Function:	Yes
Ice Maker Type:	Twist & Serve Ice Cube Maker
Freezer Drawers:	2
Freezer Shelves:	5
Door Racks:	4 x Full Width

Dimensions & Weights

Unpackaged Height:	1790 mm
Unpackaged Width:	910 mm
Cabin Depth:	615 mm
Depth (incl. Doors):	720 mm
Unpackaged Weight:	113.5 kg
Packaged Height:	1910 mm
Packaged Width:	980 mm
Packaged Depth:	780 mm
Packaged Weight:	123.5 kg

Manufacturers Warranty:	2 Years
Inverter Compressor	
Warranty:	10 Years

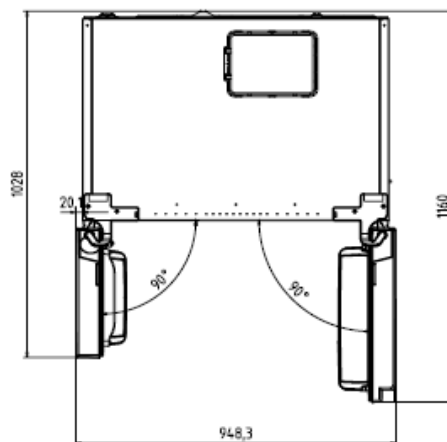
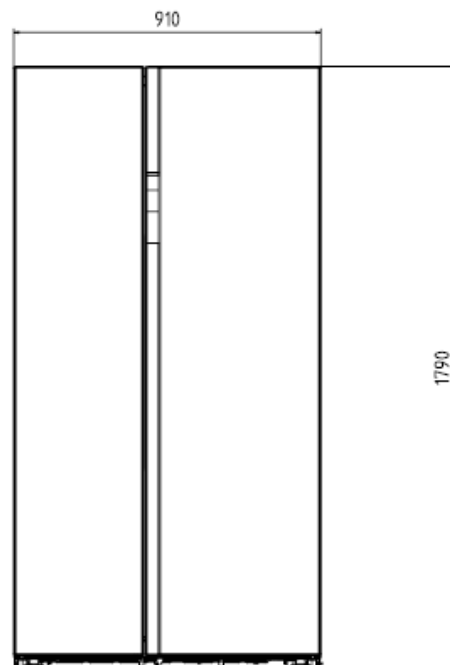
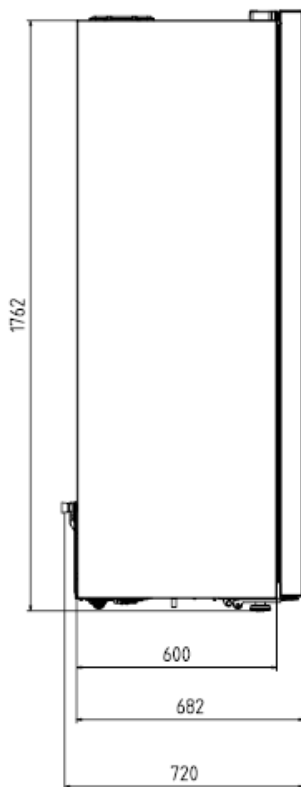
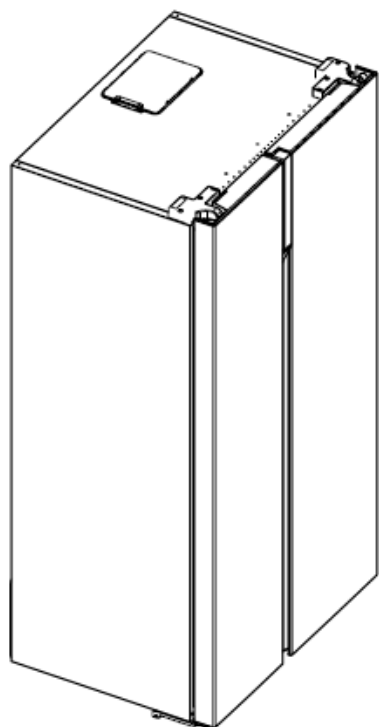


beko

Official partner of the *everyday*

BSB641W

641 L White Side by Side Fridge



beko

Official partner of the
everyday